



UNIQUELY LBTECH. SPECIALLY MADE FOR YOU!



More Security at Home

4-Wire 7" AHD Video Door Phone

MODEL: M4741

- 4-Wire
- 7" LCD
- HD
- Extension
- RFID
- Unlock
- IP65
- Intercom
- Day&Night
- Memory
- Security

4-Wire 7" AHD Video Door Phone

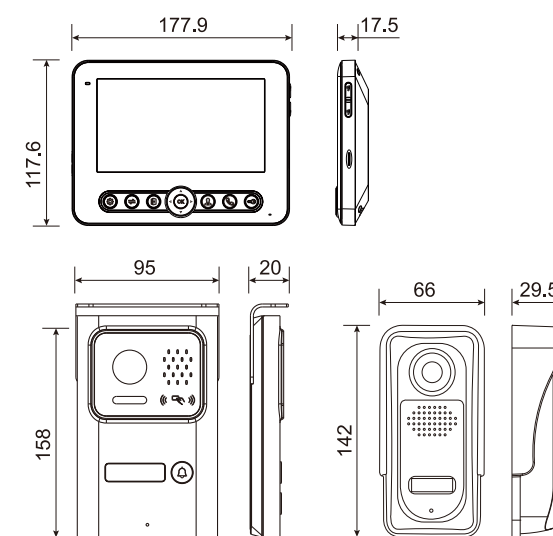
INSTALLATION DIAGRAM



FEATURES

- 1080P 7" video door phone with key operation.
- RFID card entry.
- Picture in picture.
- The door station can supply power to the electronic lock.
- Motion detection function.
- Automatic snapshot or video recording with the call.
- Up to 2 door stations+4 indoor monitors+2 CCTV cameras.
- Album.
- Customize ringtone.
- Indoor monitor unlock & door station unlock.
- Door-call transfers to other monitors.
- Internal call between monitors.
- 4-wire connection between door station and monitor.

DIMENSIONS(MM)



SPECIFICATIONS

Monitor		Door station	
Monitor screen	7" TFT LCD	Image sensor	1/3" 2MP CMOS
Resolution	1024(H) X 600(V)	IR-CUT	YES
Signal supports	1080P/720P/CVBS/CVI/TVI	RFID card	YES
Conversation mode	Hands-free half-duplex communication	Definition	1080P/720P/CVBS
Conversation duration	120s	Camera view angle	H:115°, V:65°, D:145°
SD card	Support 256G max.	LEDs for night	IR LEDs(120°) * 4pcs
Power consumption	11W Max.	Protection degree	IP65
Power supply	DC 12V	Supply power to the electronic lock	20V ~24V(optional, refer to actual model)
Working temperature	-10 C ~+60 C	Power consumption	3W Max.
Installation method	Surface mount	Power supply	DC 12V
		Working temperature	-20 C ~+50 C
		Installation method	Surface mount

ZhongShan LB Technology CO., LTD

Address: No.1 of Fuhua Road, Anfu District, Tanzhou Town, Zhongshan City, Guangdong, China

Email: sales@lbtech.com.cn

Website: www.lbtech.com.cn



M4741