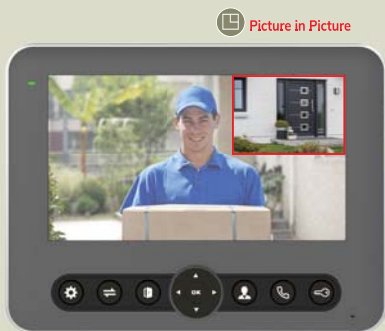


# JESMAY



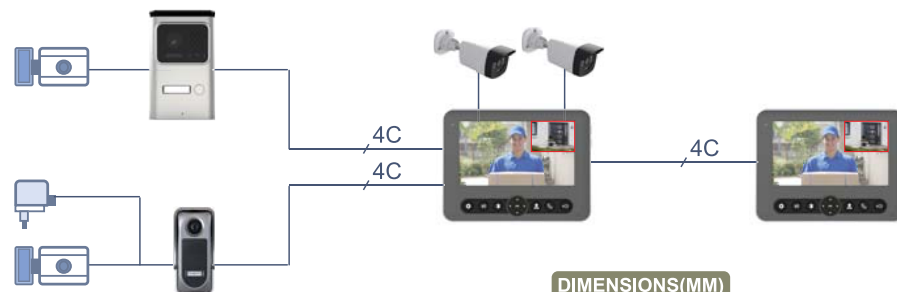
## 4-Wire 7" AHD Video Door Phone

MODEL: M4741

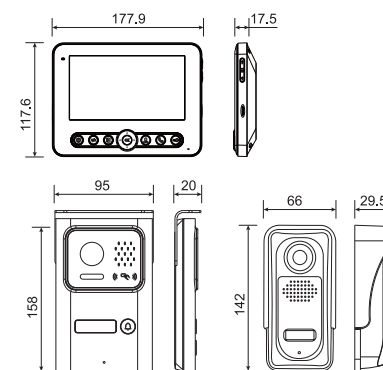


## 4-Wire 7" AHD Video Door Phone

### INSTALLATION DIAGRAM



### DIMENSIONS(MM)



### FEATURES

- 1080P 7" video door phone with key operation.
- RFID card entry.
- Picture in picture.
- The outdoor panel can supply power to the electronic lock.
- Motion detection function.
- Automatic snapshot or video recording with the call.
- Up to 2 outdoor panels+4 indoor monitors+2 CCTV cameras.
- Album.
- Customize ringtone.
- Indoor monitor unlock & outdoor panel unlock.
- Door-call transfers to other monitors.
- Internal call between monitors.
- 4-wire connection between outdoor panel and monitor.

### SPECIFICATIONS

Monitor		Outdoor Panel	
Monitor screen	7" TFT LCD	Image sensor	1/3 inch wide angle CMOS camera
Resolution	1024(H) X 600(V)	IR-CUT	YES
Signal supports	1080P/720P/CVBS/CVI/TVI	RFID card	YES
Conversation mode	Hands-free half-duplex communication	Definition	1080P/720P/CVBS
Conversation duration	120s	Camera view angle	115°
SD card	Support 256G max.	LEDs for night	IR LEDs(120°) * 4pcs
Power consumption	11W Max.	Protection degree	IP65
Power supply	DC 12V	Supply power to the electronic lock	20V ~24V(optional, refer to actual model)
Working temperature	-10 C ~+60 C	Power consumption	3W Max.
Installation method	Surface mount	Power supply	DC 12V
		Working temperature	-20 C ~+50 C
		Installation method	Surface mount

JESMAY ELECTRONICS COMPANY LIMITED

ADD: Room 2103, 21/F, SUP Tower, 75-83 King's Road, North Point, Hong Kong  
 Tel: (852)2563 4292 2562 6212 Fax: (852)2565 7026 2516 9417  
 www.jesmay.com.hk llau@jesmay.com.hk

